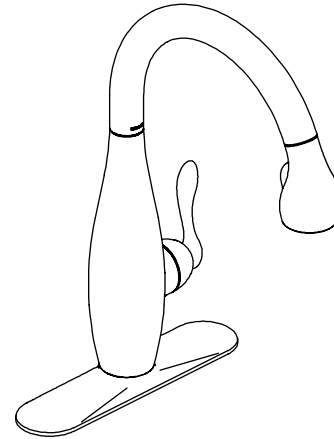


**Features**

- Metal construction
- One-piece, self-contained ceramic disc valve allows both volume and temperature control
- Temperature memory allows faucet to be turned on and off at any temperature setting
- High-temperature limit setting for added safety
- Touch control for stream-to-spray water flow
- 9-1/4" (23.5 cm) swing spout reach
- Integral pullout sprayhead with retractable hose
- Integral vacuum breaker
- 10" (25.4 cm) escutcheon plate for three-hole installation
- Lower flow aerator options are available (refer to the Kohler Price Book)
- 2.2 gallons (8.3 L) per minute maximum flow rate

**PULL-DOWN KITCHEN SINK FAUCET  
K-692**

**ADA** **CSA B651** **OBC**



**Codes/Standards Applicable**

Specified model meets or exceeds the following at date of manufacture:

- ADA
- ICC/ANSI A117.1
- CSA B651
- OBC
- ASME A112.18.1/CSA B125.1
- NSF 61
- Energy Policy Act of 1992
- All applicable US Federal and State material regulations

**Colors/Finishes**

- CP: Polished Chrome
- BN: Brushed Nickel
- Other: Refer to Price Book for additional colors/finishes

**Accessories**

- NA: None applicable

**Specified Model**

Model	Description	Colors/Finishes
K-692	Pull-down kitchen sink faucet	<input type="checkbox"/> CP <input type="checkbox"/> BN <input type="checkbox"/> Other ____
Optional accessories listed on Page 2.		

**Product Specification**

The single-control pull-down kitchen sink faucet shall be of metal construction. Product shall have a maximum flow rate of 2.2 gallons (8.3 L) per minute with lower flow aerator options available (refer to the Kohler Price Book). Product shall feature a one-piece, self-contained ceramic disc valve, which allows both volume and temperature control. Product shall feature temperature memory, allowing the faucet to be turned on and off at any temperature setting. Product shall feature a high-temperature limit setting for added safety, touch control for stream-to-spray water flow, 9-1/2" (24.1 cm) swing spout reach, and integral pullout sprayhead and hose. Product shall feature integral vacuum breaker and 10" (25.4 cm) escutcheon plate for three-hole installation. Faucet shall be Kohler Model K-692- \_\_\_\_.

# CLAIRETTE®

## Optional Accessories

1012715

Deep roughing-in kit – Requires 1-7/16" (3.7 cm) to 1-1/2" (3.8 cm) diameter hole to accommodate 1-3/8" (3.5 cm) to 3-3/8" (8.6 cm) thick installations.

NA

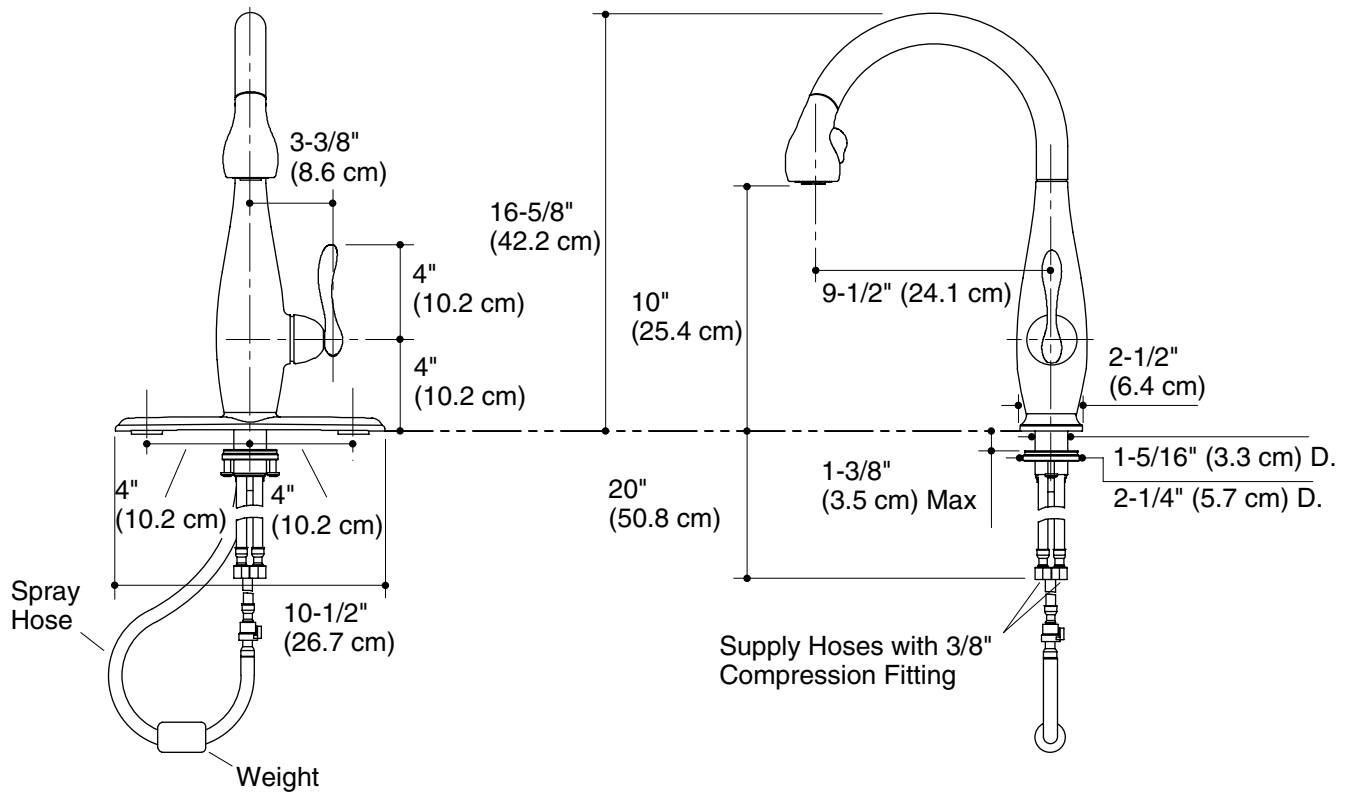
## Installation Notes

Install this product according to the installation guide.

Meets all local plumbing codes for vacuum breaker requirements.

Lower flow aerators options are available. Please refer to the Kohler Price Book..

**ADA, CSA B651, OBC** compliant when installed to the specific requirements of these regulations.



## Product Diagram